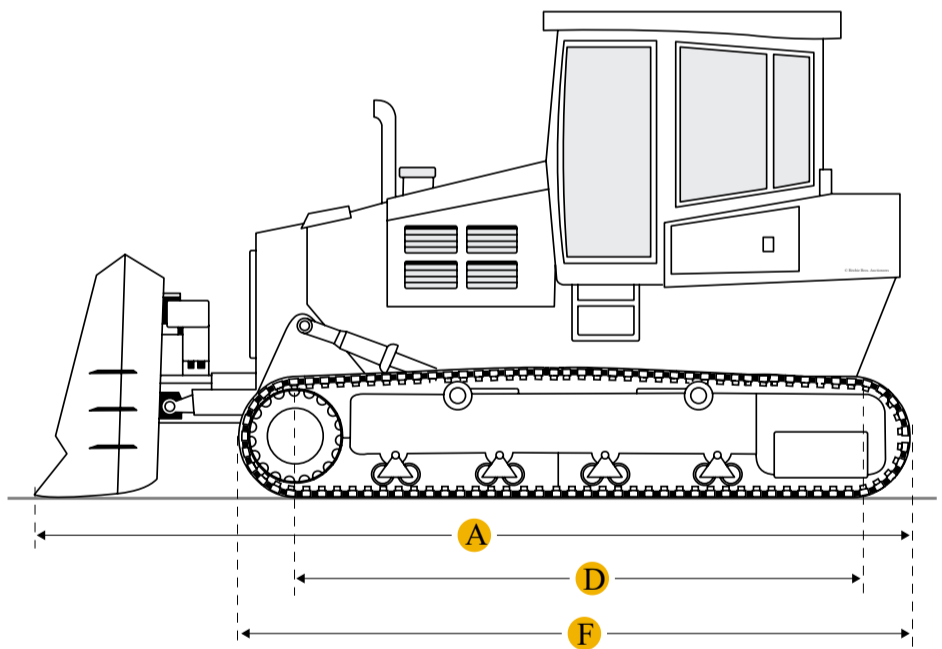
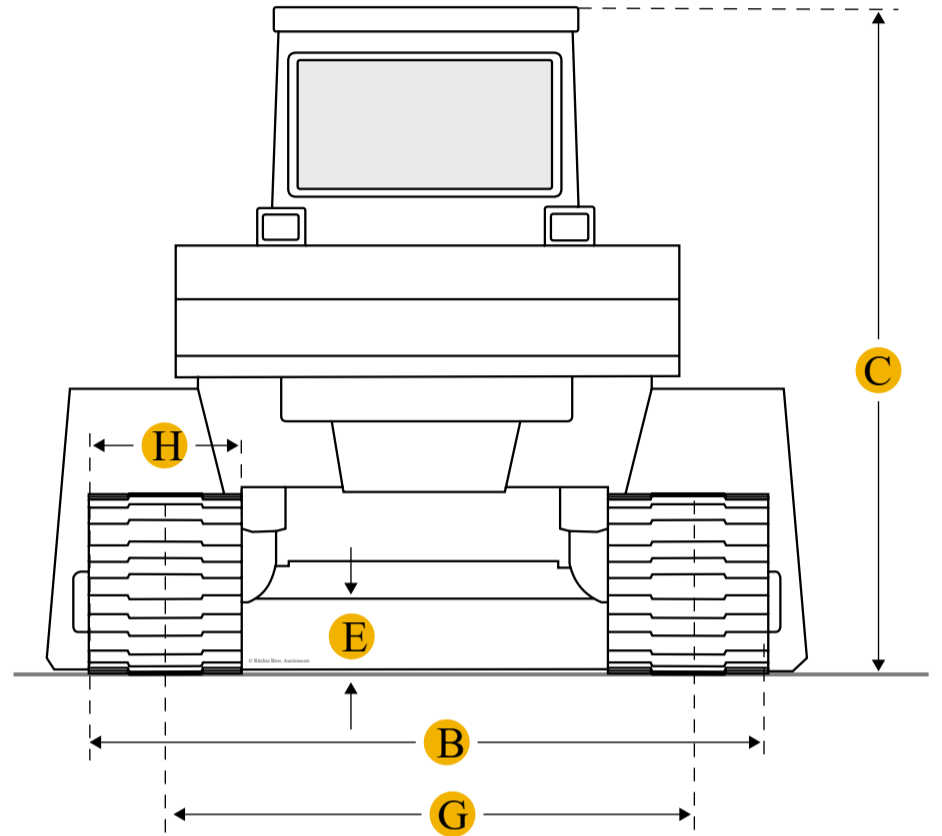
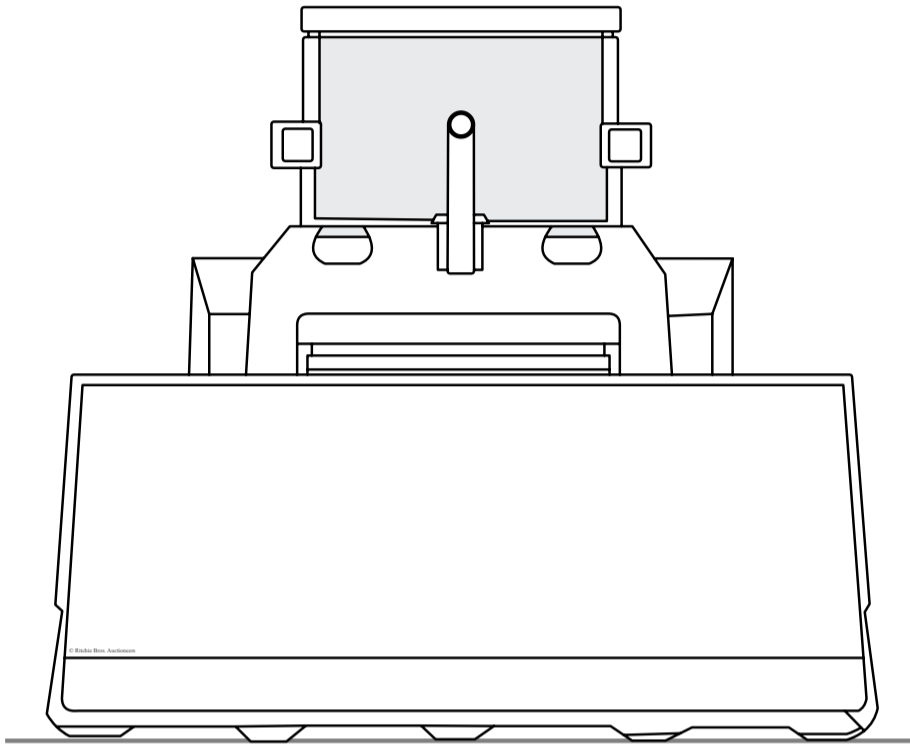


## Komatsu D575A-2SD Crawler Tractor



Units Imperial Metric

### Dimensions

#### Dimensions

A	<b>Length W/ Blade</b>	25.25 ft in
B	<b>Width Over Tracks</b>	13.72 ft in
C	<b>Height To Top Of Cab</b>	12.44 ft in
D	<b>Length Of Track On Ground</b>	18 ft in

Undercarriage

G <b>Track Gauge</b>	10.57 ft in
H <b>Standard Shoe Size</b>	33.86 in

Specifications

Engine

<b>Engine Make</b>	2238
<b>Engine Model</b>	SA12V170
<b>Displacement</b>	2825 cu in

Operational

<b>Operating Weight</b>	247358.7 lb
<b>Fuel Capacity</b>	554.8 gal

Transmission

<b>Number Of Forward Gears</b>	3
<b>Number Of Reverse Gears</b>	3
<b>Max Speed - Forward</b>	7.5 mph
<b>Max Speed - Reverse</b>	8.6 mph

Compare similar models

[Komatsu D475A-5 Tier 2](#)

<b>Operating Weight</b>	249560 lb
-------------------------	-----------

[Caterpillar D11T CD](#)

<b>Operating Weight</b>	248600 lb
-------------------------	-----------

[Komatsu D575A-3SD](#)

<b>Operating Weight</b>	252600 lb
-------------------------	-----------

Compare

# Find Komatsu D575A-2SD Crawler Tractor for Sale



[See Komatsu Crawler Tractor for sale rbauction.com](#)

[See Komatsu Crawler Tractor for sale ironplanet.com](#)

[See Komatsu Crawler Tractor for sale mascus.com](#)

Need help? Contact Us

English

**Company** +

**Popular Searches** +

## Looking for equipment or trucks?

Ritchie Bros. sells more new and used industrial equipment and trucks than any other company in the world.

[Equipment for sale on rbauction.com](#)

[Equipment for sale on ironplanet.com](#)

[Equipment for sale on mascus.com](#)

[Sell your equipment](#)

© 2007-2018 RitchieSpecs Equipment Specifications Ritchie Bros. Auctioneers © [Privacy Statement](#) | [Terms of Use](#)  
OEM specifications are provided for base units. Actual equipment may vary with options.